

30° Cordless Framing Nailer Cleaning Procedure

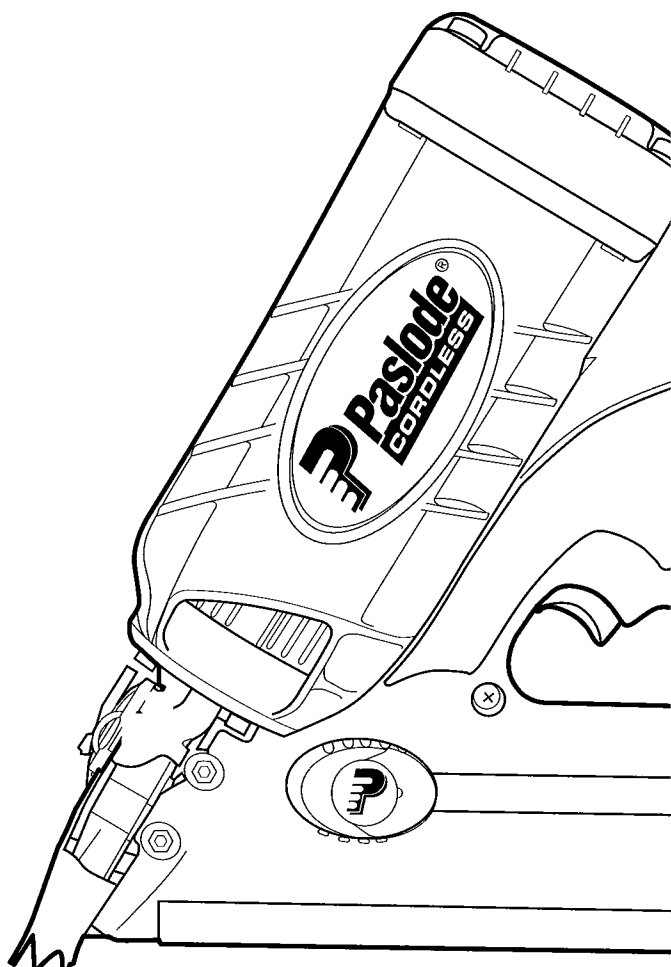
This procedure provides a simple but effective way to clean your Paslode Cordless Framing Nailer and maintain reliable operation. Regular cleaning and lubrication will also extend part life and provide maximum nail driving power.

Only one tool is necessary to disassemble the Paslode Cordless Framing Nailer in preparation for cleaning: the 5/32" hex key wrench provided with the Paslode Cordless Framing Nailer.

Paslode recommends that an aerosol "Degreaser Cleaner," such as Paslode® Degreaser Cleaner (Part No. 219086), be used for cleaning. This cleaner is available through your local Paslode Dealer.

If a different type of degreaser cleaner is selected, make sure that it will not damage rubber. Both of the O-Ring seals in the area that will be cleaned are made of a rubber compound. Chemical damage to these O-Ring seals may result in the tool being made inoperable.

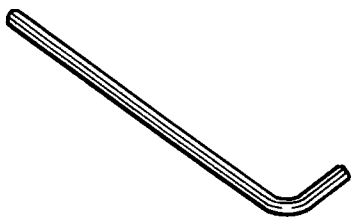
Although "safety" cleaners generally provide reduced risk of fire and are more stable than other cleaners, they cannot be handled carelessly. Always follow the manufacturer's instructions and never spray cleaner on the Paslode Cordless Framing Nailer, unless the tool has been allowed to cool down.



To begin, you will need the following items:

Tool

5/32" Hex Key Wrench



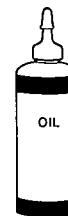
Part No. 401331

Degreaser Cleaner



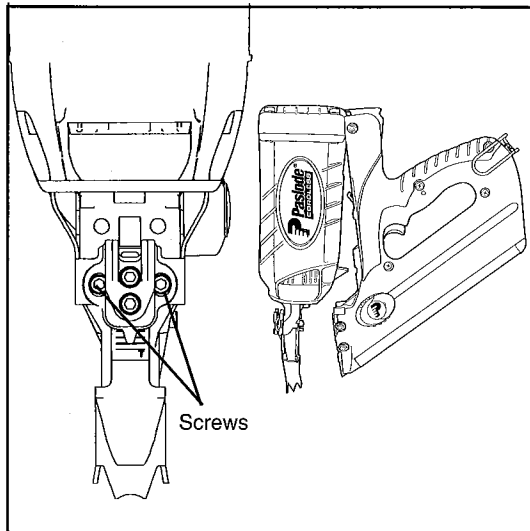
Part No. 219086

Paslode Cordless Lubricating Oil



Part No. 401482

Handle-Magazine Removal

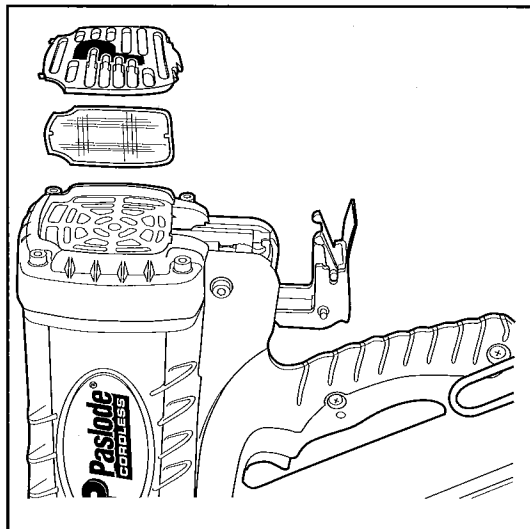


DANGER

Remove all fasteners, fuel, and battery prior to servicing tool.

Step 1

Using the 5/32" Hex Key Wrench (# 401331) remove the **Handle-Magazine Assembly** by removing the two #10-24 x 1-1/8" long Socket Head Cap Screws from the nose piece of the tool and pivot the **Handle-Magazine Assembly** away from the **Motor Assembly**.

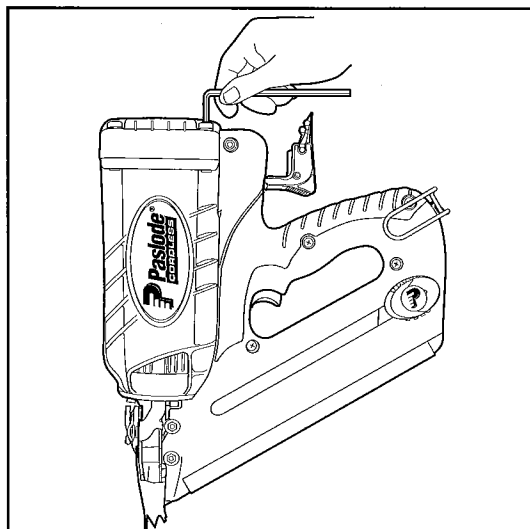


Step 2

Remove the grill and air filter. Clean them in soapy water or with Paslode Degreaser Cleaner.

DANGER

Never operate the Paslode Cordless Framing nailer unless all four Socket Head Cap Screws are firmly tightened on the cylinder head. Failure to do this could result in tool damage, fire and personal injury.



Step 3

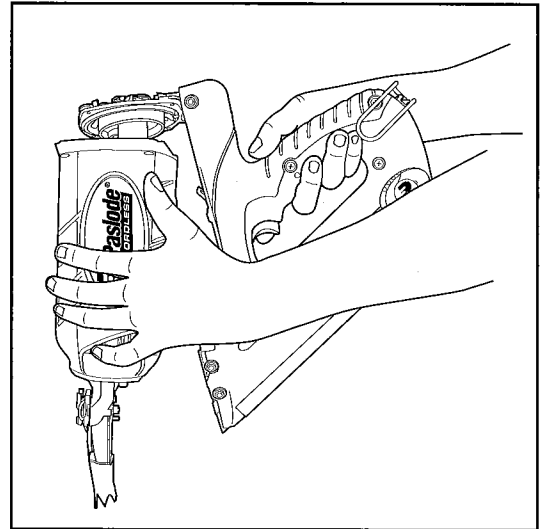
Remove the cap and air filter by unscrewing the four #10-24 Socket Head Cap Screws.

Handle-Magazine Removal

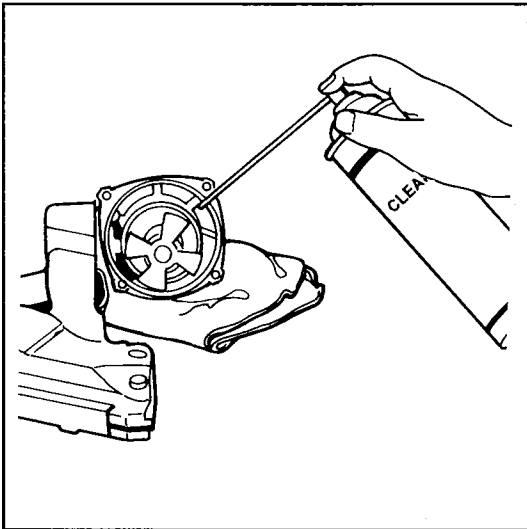
Step 4

Carefully tilt the **Handle-Magazine Assembly** away from the **Motor Assembly** and gently pull the two assemblies apart. **CAUTION:** Use care to ensure that the fan does not scratch the combustion chamber. Also be careful when setting the Handle-Magazine Assembly down so that you do not damage the fan blades or bend the fan motor shaft.

You have now separated the tool into two major assemblies, allowing access to the areas that require periodic cleaning and lubrication.

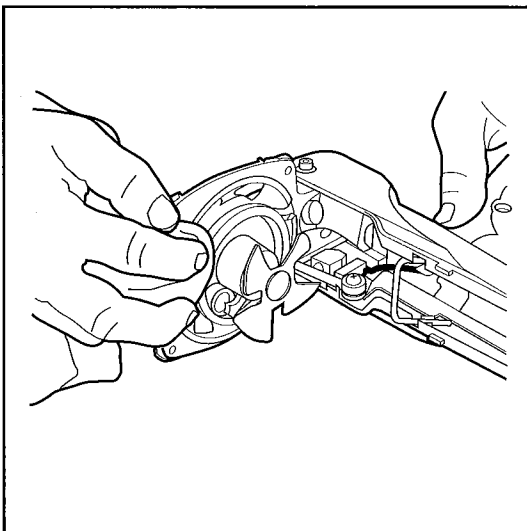


Cylinder Head



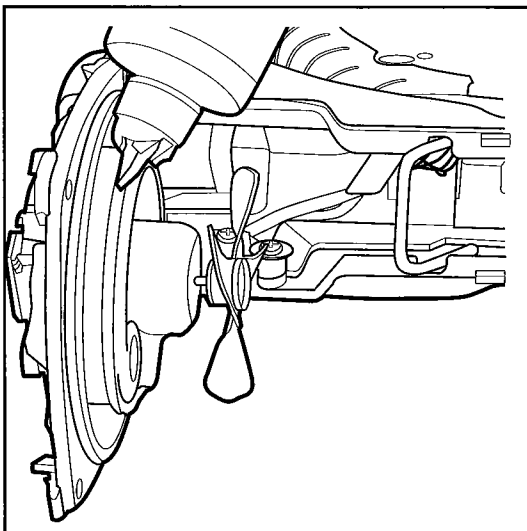
Step 1

Spray the **Cylinder Head** with degreaser cleaner. Allow the dirt and debris to drip off. **DO NOT LET OVER SPRAY OR DIRTY CLEANER RUN INTO THE HANDLE**



Step 2

Using a clean, lint-free rag, wipe off any remaining cleaner or dirt. Make sure the **Seal Rings** and **Spark Plug** are completely clean and clear of debris. Repeat Step 3 to remove any heavy deposits or remaining residue.



Step 3

Thoroughly lubricate the **Seal Rings** with **Paslode Cordless Lubricating Oil**, part #401482. Make sure oil is applied evenly around entire **O-Ring**. Set the **Handle/Cylinder Head Assembly** aside.

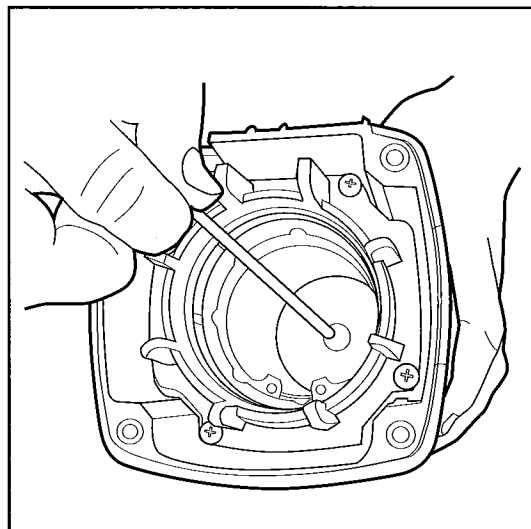
Note:

Paslode Cordless Lubricating Oil is specially formulated for use in the **Paslode Cordless Framing Nailer**. The use of other types of lubricants may cause rapid build-up of combustion residue or result in premature part failure.

Motor Assembly

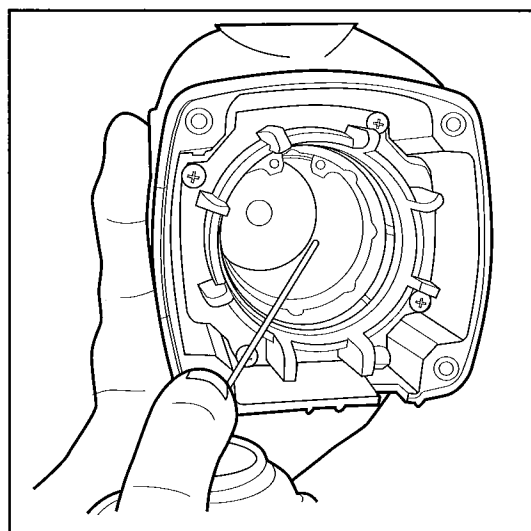
Step 1

Push the **Piston Assembly** to the "down" position using the handle portion of the screwdriver or a clean piece of wood.



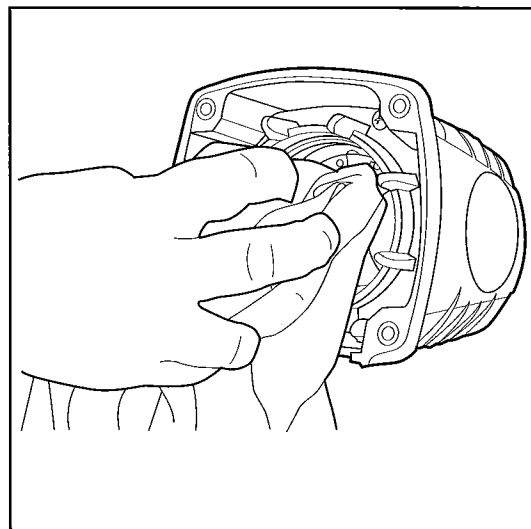
Step 2

Spray a liberal amount of degreaser cleaner into inside of **Sleeve** and **Combustion Chamber**. Invert **Motor Assembly**, and let excess cleaner and dirt drain out.

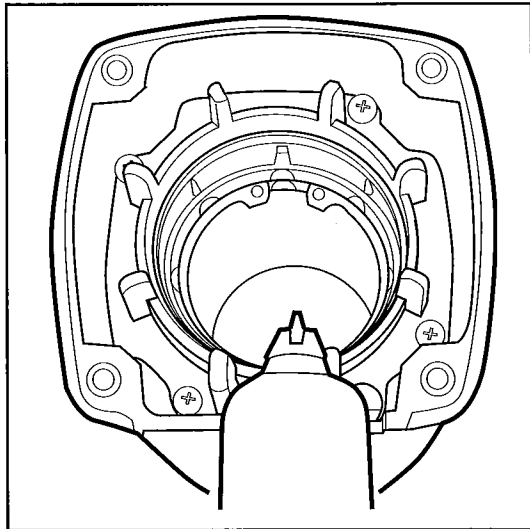


Step 3

Using a clean area of a lint-free rag, wipe off any remaining cleaner or dirt. Repeat Step 2 to remove any heavy deposits or remaining residue.

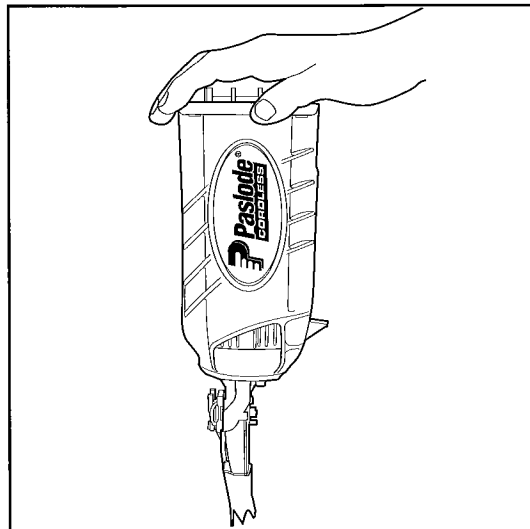


Motor Assembly



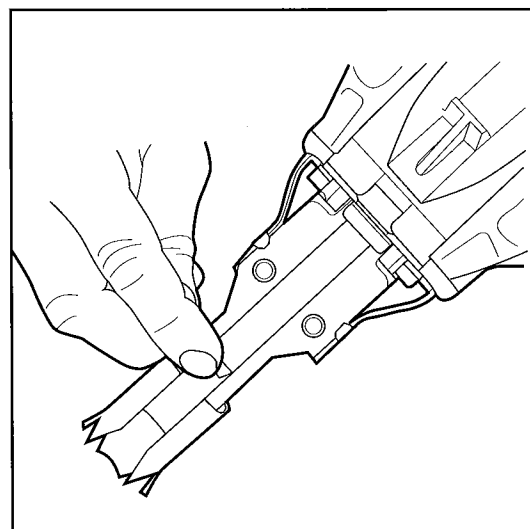
Step 4

With **Motor Assembly** tilted up, squeeze 4-5 drops of oil into **Sleeve** (Area "A") and 5-6 drops onto lower lip of **Combustion Chamber** (Area "B"). Rotate **Motor Assembly** while oiling to ensure oil is evenly distributed around **Sleeve** and lip. See Tool Cutaway Illustration, page 7.



Step 5

Hold **Motor Assembly** upright, and push down and release several times to allow oil on lower lip of **Combustion Chamber** to be evenly distributed.



Step 6

Manually push the **Driver Blade** up and down to distribute the oil in the **Sleeve** evenly.

Motor Assembly

Step 7

Tilt the **Motor Assembly** upright, and apply 3-4 drops of **Paslode Cordless Lubricating Oil** evenly spaced around the top of the **Combustion Chamber** (Area "C"). Spread the oil using your fingertip.

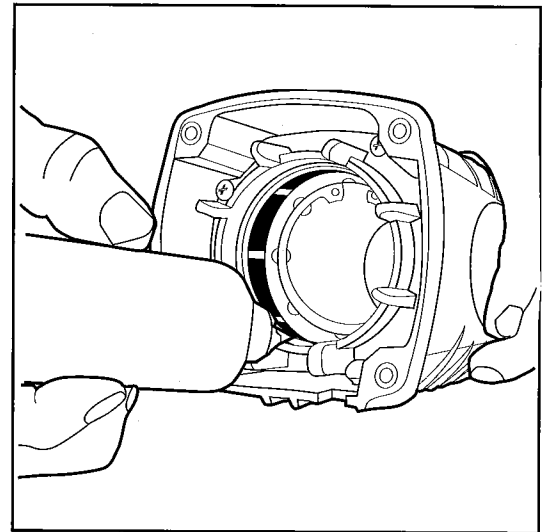
Step 8

Reassemble the **Paslode Cordless Framing Nailer** following disassembly Steps 1-3, page 2 in **Reverse** order.

DANGER

Do not attempt to operate the tool unless the head screws, filter and cap are securely attached to the housing. Operating the Paslode Cordless Framing nailer with loose or missing head screws can result in the escape of burning gases, tool damage, and injury to tool user and property.

NOTE: After the tool is completely assembled and all screws are tightened, test the tool for proper operation. Some smoke may be noticeable from the exhaust ports on the first few cycles as excess oil is burned off. Consult the Operating Manual for instructions if the tool malfunctions.

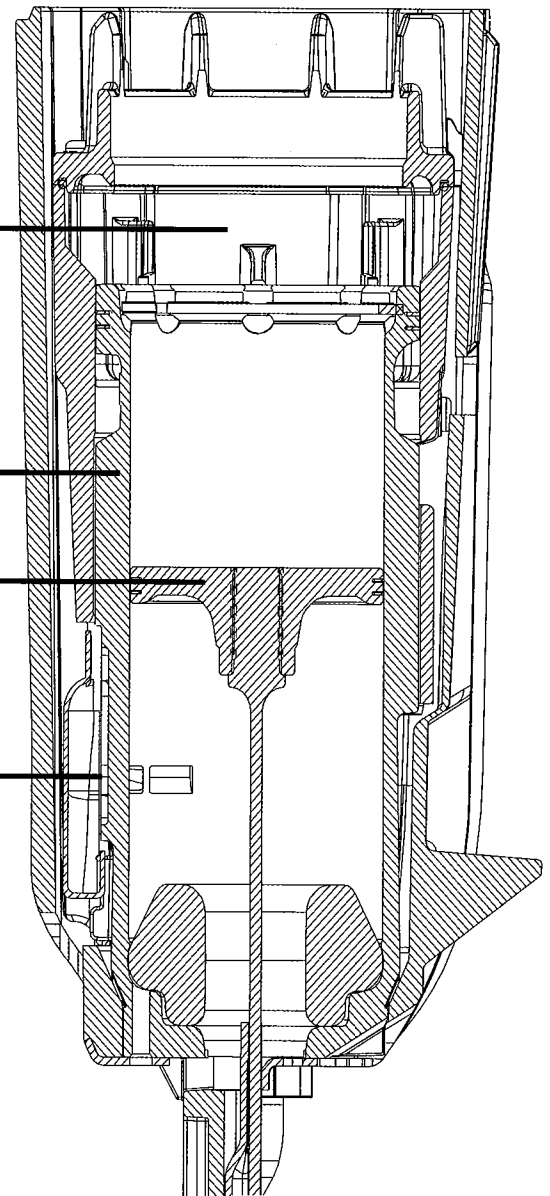


Combustion Chamber

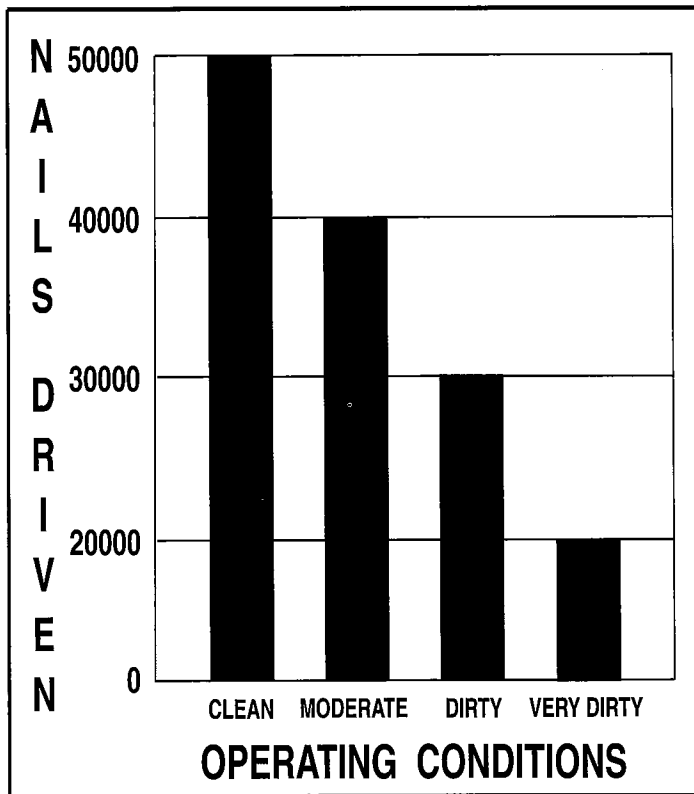
Sleeve

Piston Assembly

"Mid-Check" Area



30° Cordless Framing Nailer Cleaning Procedure



The maintenance interval for cleaning the **Paslode Cordless Framing Nailer** will vary depending upon the number of nails driven, and the operating conditions under which the tool is used. When the **Paslode Cordless Framing Nailer** is used in a dirty environment or at high nailing rates for extended periods, cleaning should be performed at shorter intervals.

Paslode has developed this chart as a guideline to assist you in establishing the proper cleaning schedule for the type of use the tool is getting. If you find that the suggested cleaning interval is allowing the tool to become excessively dirty between cleanings, reduce the interval to the next shorter frequency. If it is apparent that the **Paslode Cordless Framing Nailer** is not in need of cleaning at the scheduled time, increase the interval to the next longer period.

If you have any questions regarding this chart or any of the instructions in this cleaning procedure, contact your Paslode representative for assistance.



An Illinois Tool Works Company
888 Forest Edge Drive
Vernon Hills, Illinois 60061
www.paslode.com